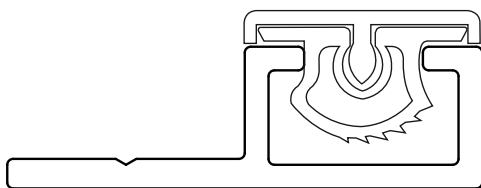
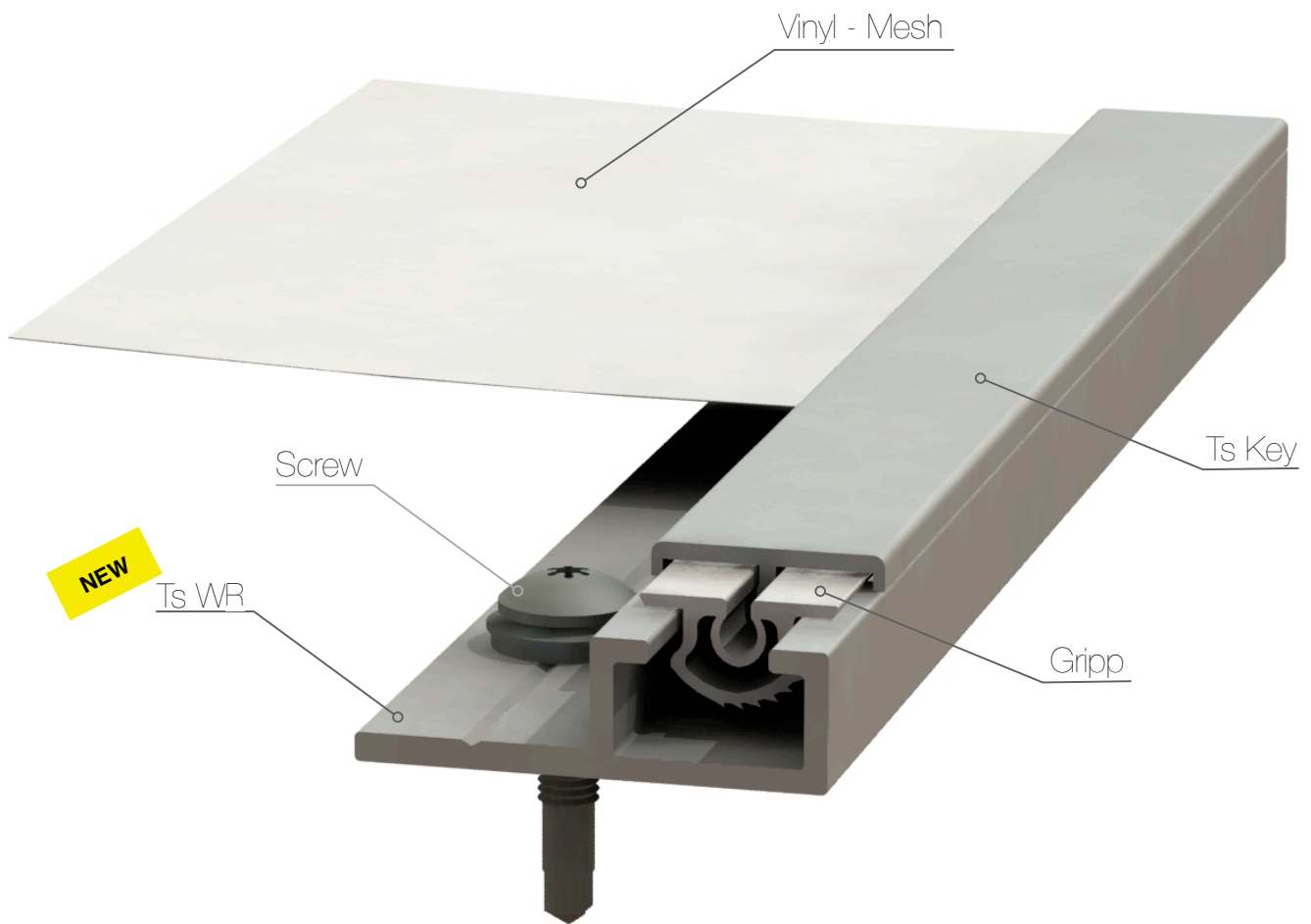


TS Wr ( Wall reinforced )		
Finish	Nature	Anodized
Dimension	40 x 12	mm
Thickness	2 - 2,5	mm
Weight	0,382	Kg
Lenght	3050	mm
Application	<i>Indoor only or renovation light box, Fixation on hard structure</i>	
Associated Parts	Gripp Soltto 2, Gripp PVC & TS Key	

# PROFIL

T E N S I O N   S Y S T E M

+ Vinyl Application

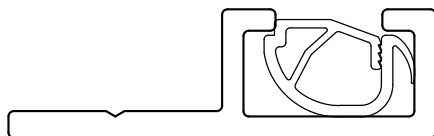
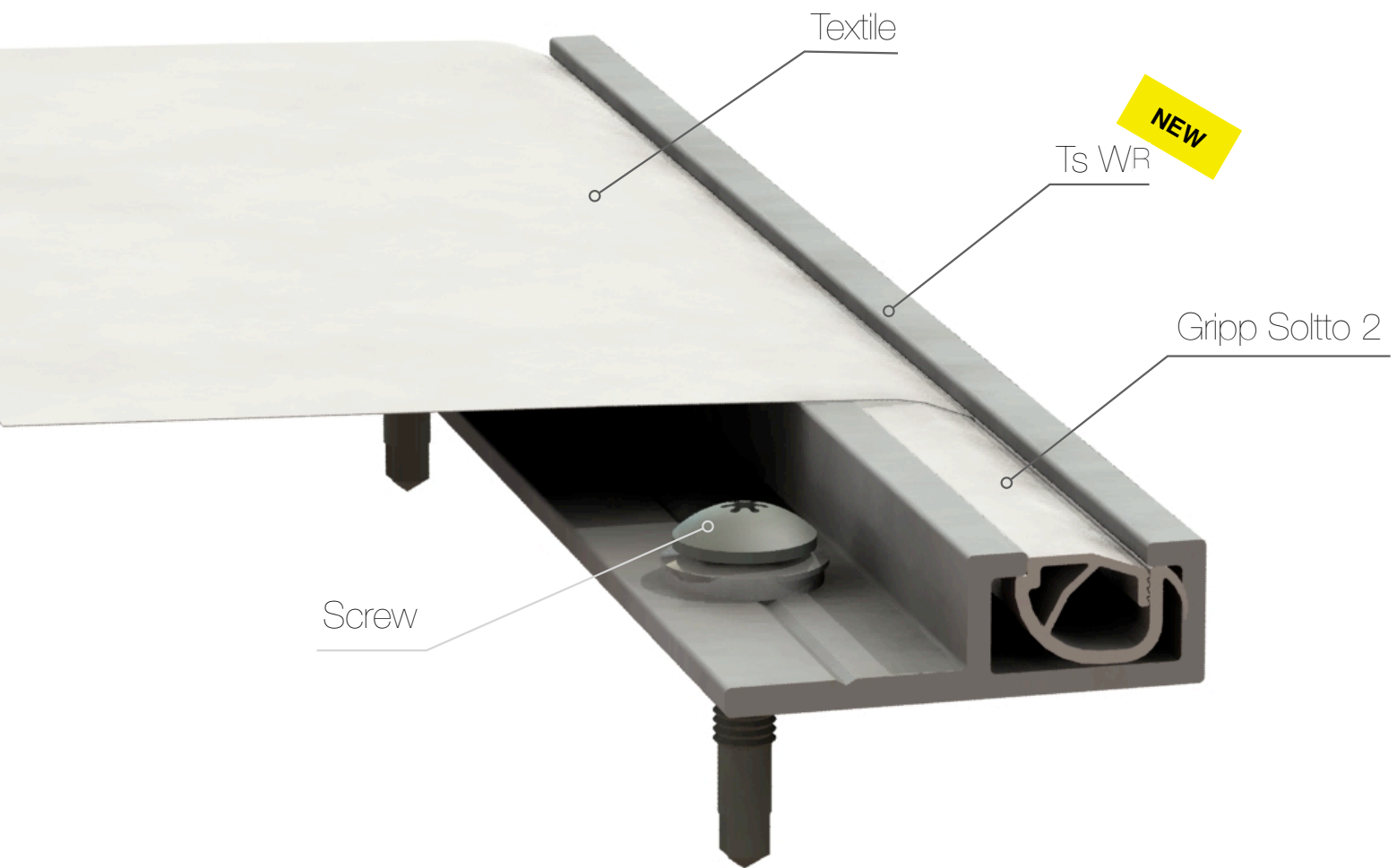


Fix to the structure or on the wall, to stretch PVC membrane, for Indoor and Outdoor Project

# PROFIL

T E N S I O N   S Y S T E M

## + Textile Application

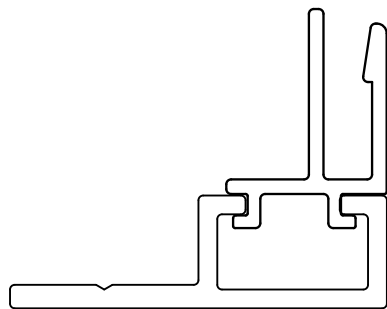
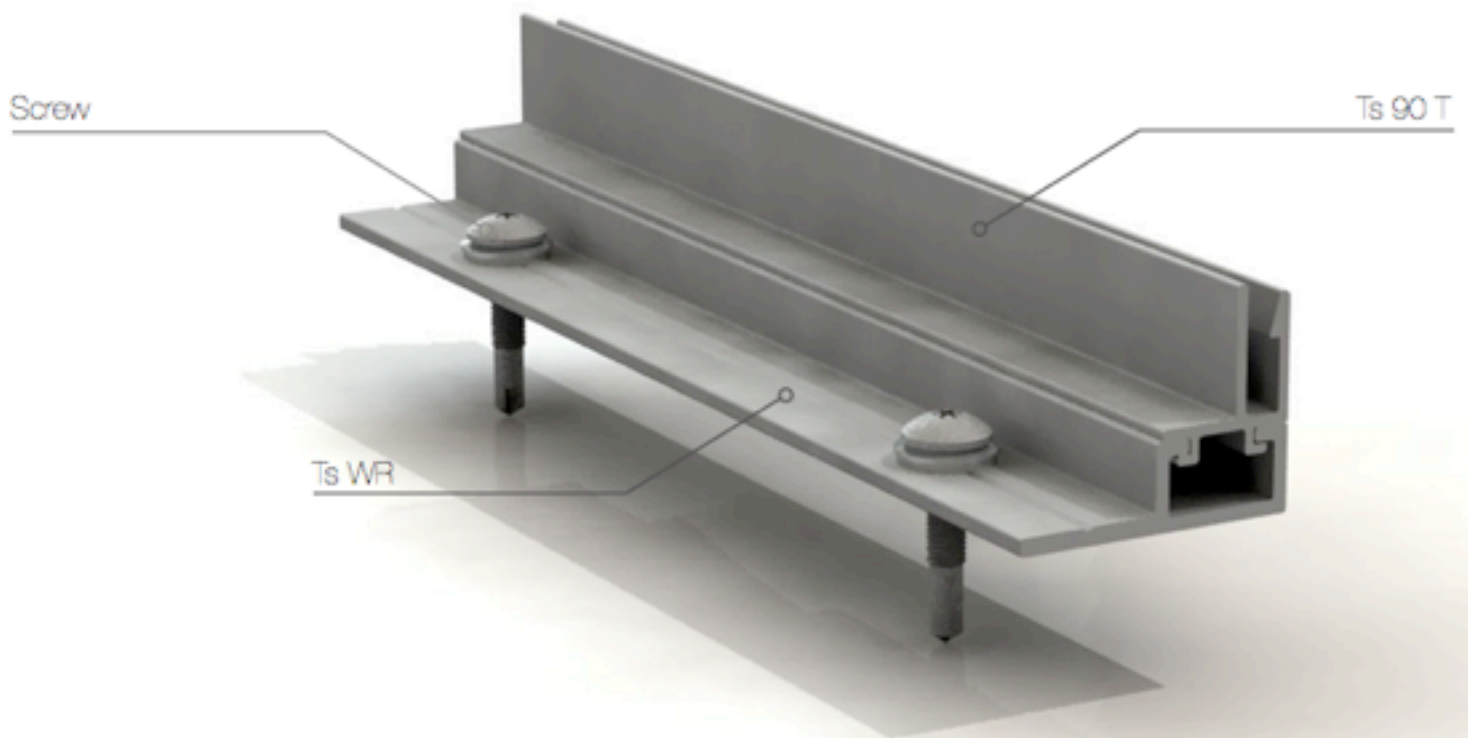


Fix to the structure or on the wall, to stretch Textile, for Indoor Project

# PROFIL

T E N S I O N   S Y S T E M

+ Silicon Application



Fix to the structure or on the wall, to stretch Textile with silicon tape, for Indoor Project